

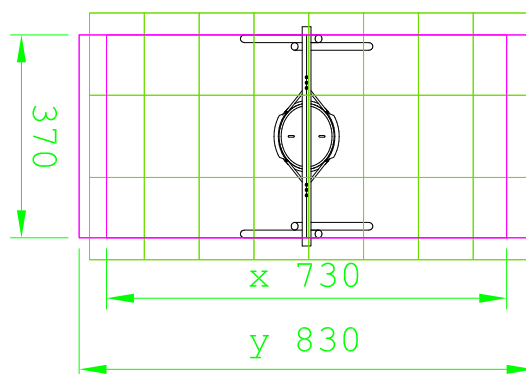
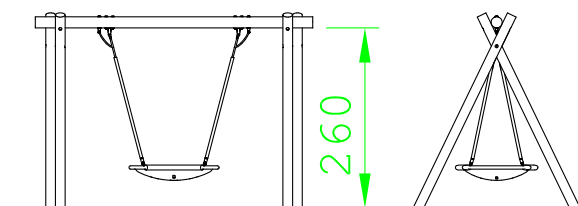
Product Specification Sheet for:
Nest Swing 2.6m high with reinforced bearing - 901220300R



Compliant to EN1176

Product Name	Nest Swing 2.6m high with reinforced bearing
Product Code	901220300R
Material	BS EN 350-02 Class 1 Robinia Timber
Product Category	FHS Moving Equipment
Age Range	3 to 14
Product Type	Nest Swing
Fixings	Stainless Steel Fixings & Galvanised Plates
Free Space Area m2	27
Free Space Loosefill m2	31
FFH	2.20
Area Required (LxW)	7.2 x 4.05
Grassmat Total (M²)	36
Edge Length LM	22

Plan View
 Not to scale



Product Description

The nest swing is one of our most popular pieces of equipment as it is suitable for lots of children. The swing helps users to develop a sense of rhythm, movement and manual strength. The nest is at wheelchair accessible height, making it easier for wheelchair users to access.



Company No. SC200761

© Jupiter Play & Leisure Ltd. 2014.

www.jupiterplay.co.uk
info@jupiterplay.co.uk

HEAD OFFICE: 0131 445 7989
 SOUTHERN OFFICE: 0115 969 9859