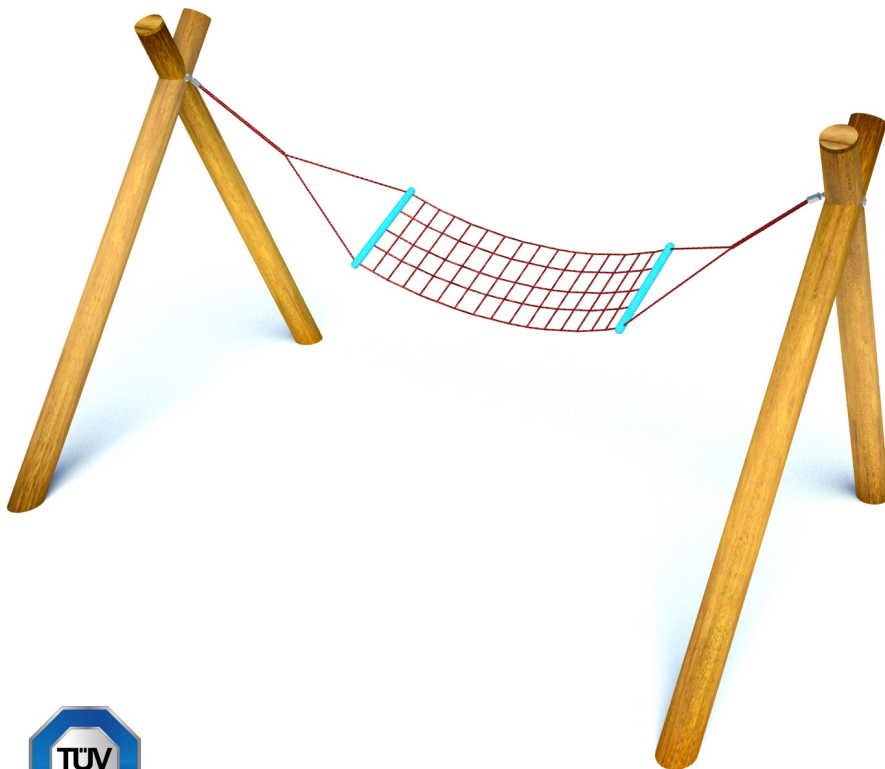


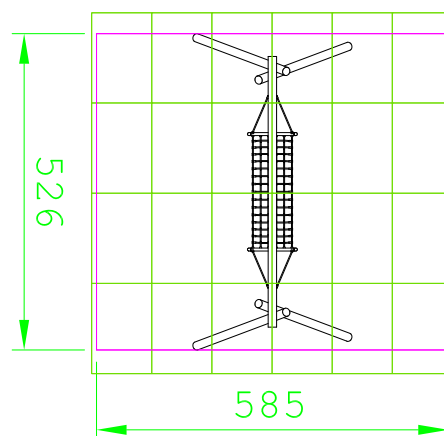
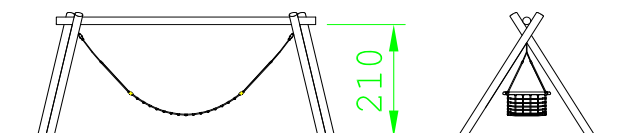
Product Specification Sheet for:  
**Hammock Swing 901310100R**



Compliant to EN1176

Product Name	Hammock Swing
Product Code	901310100R
Material	BS EN 350-02 Class 1 Robinia Timber
Product Category	FHS Swings & Moving
Age Range	3 to 12
Product Type	Hammock Swing
Fixings	Stainless Steel Fixings & Galvanised Plates
Free Space Area m2	31
Free Space Loosefill m2	31
FFH	1.15
Area Required (LxW)	5.26 x 5.85
Grassmat Total (M²)	36
Edge Length LM	23

Plan View  
 Not to scale



**Product Description**

The hammock is friendly, inviting and designed for use as a relaxing area for all children. Children can swing each other, chat or lie together whilst a parent or carer swings them. This item can be part of a seating area and fits well in all settings including quiet spaces.



Company No. SC200761

© Jupiter Play & Leisure Ltd. 2014.

[www.jupiterplay.co.uk](http://www.jupiterplay.co.uk)  
[info@jupiterplay.co.uk](mailto:info@jupiterplay.co.uk)

HEAD OFFICE: 0131 445 7989  
 SOUTHERN OFFICE: 0115 969 9859