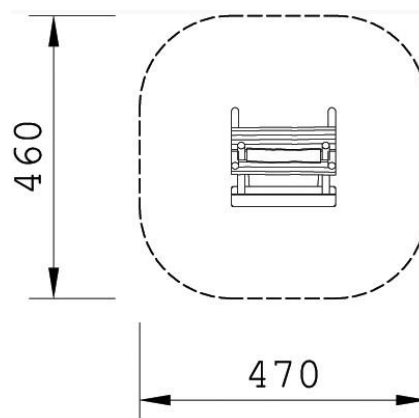




Compliant to EN1176

Product Name	Market Stall
Product Code	903323100R
Material	BS EN 350-02 Class 1 Robinia Timber
Product Category	FHS Furniture
Age Range	2+
Product Type	Seating
Fixings	Stainless Steel Fixings & Galvanised Plates
Free Space Area m2	20
Free Space Loosefill m2	20
FFH	<0.6m
Area Required (LxW)	4.60m x4.70m
Grassmat Total (M²)	27
Edge Length LM	19

Plan View
Not to scale



Product Description

The Market Stall is a natural seating arrangement that can be easily adapted to be made larger or smaller. The design of the structure encourages themed play for the younger children, whilst doubling up as the perfect rest point suitable for all.