

Product Specification Sheet for:
Gabled House 903324100R

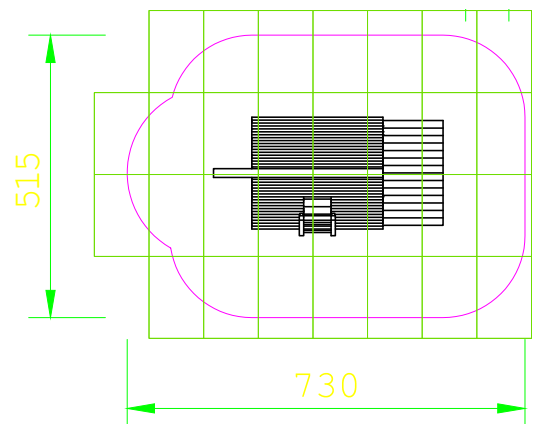
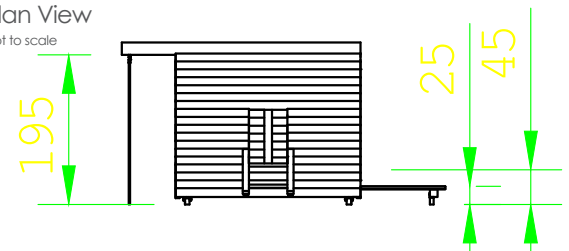


Compliant to EN1176



Product Name	Gabled House
Product Code	903324100R
Material	BS EN 350-02 Class 1 Robinia Timber
Product Category	FHS Playtowers & Houses
Age Range	2 to 8
Product Type	Play House
Fixings	Stainless Steel Fixings & Galvanised Plates
Free Space Area m2	34
Free Space Loosefill m2	34
FFH	0.95
Area Required (LxW)	7.3 x 5.15
Grassmat Total (M ²)	45
Edge Length LM	22

Plan View
 Not to scale



Product Description

This simple play house is not to be underestimated. Small children can play inside and act out role play scenarios with adults whilst older children climb on top of the roof to gain a great lookout point over the play area.



Company No. SC200761

© Jupiter Play & Leisure Ltd. 2014.

www.jupiterplay.co.uk
info@jupiterplay.co.uk

HEAD OFFICE: 0131 445 7989
 SOUTHERN OFFICE: 0115 969 9859