

Product Specification Sheet for:
Sieve Table with Swivel Crane 905840300R

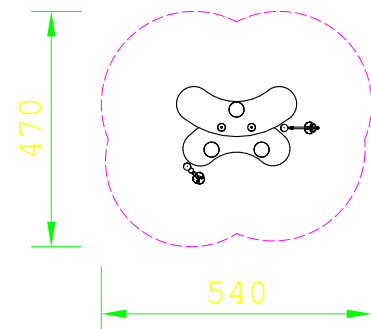
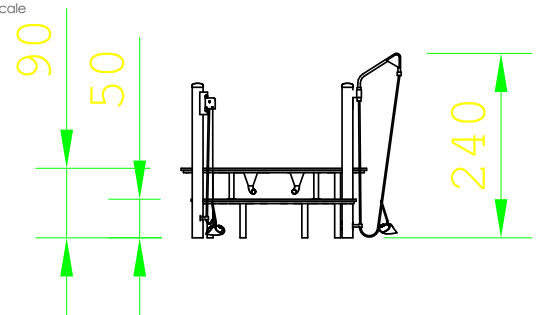


Compliant to EN1176



Product Name	Sieve Table with Swivel Crane
Product Code	905840300R
Material	BS EN 350-02 Class 1 Robinia Timber
Product Category	FHS Sand & Water Play
Age Range	3 +
Product Type	Sand Play Unit
Fixings	Stainless Steel Fixings & Galvanised Plates
Free Space Area m2	21
Free Space Loosefill m2	21
FFH	
Area Required (LxW)	5.4 x 4.7
Grassmat Total (M ²)	n/a
Edge Length LM	17

Plan View
 Not to scale



Product Description

Sand and Water play is attractive to all children. Children with disabilities are often excluded in other play activities, but sensory areas are truly inclusive and accessible for all. This table in particular allows young people in wheelchairs to access the table and also use the swivel crane.



Company No. SC200761

© Jupiter Play & Leisure Ltd. 2014.

www.jupiterplay.co.uk
info@jupiterplay.co.uk

HEAD OFFICE: 0131 445 7989
 SOUTHERN OFFICE: 0115 969 9859