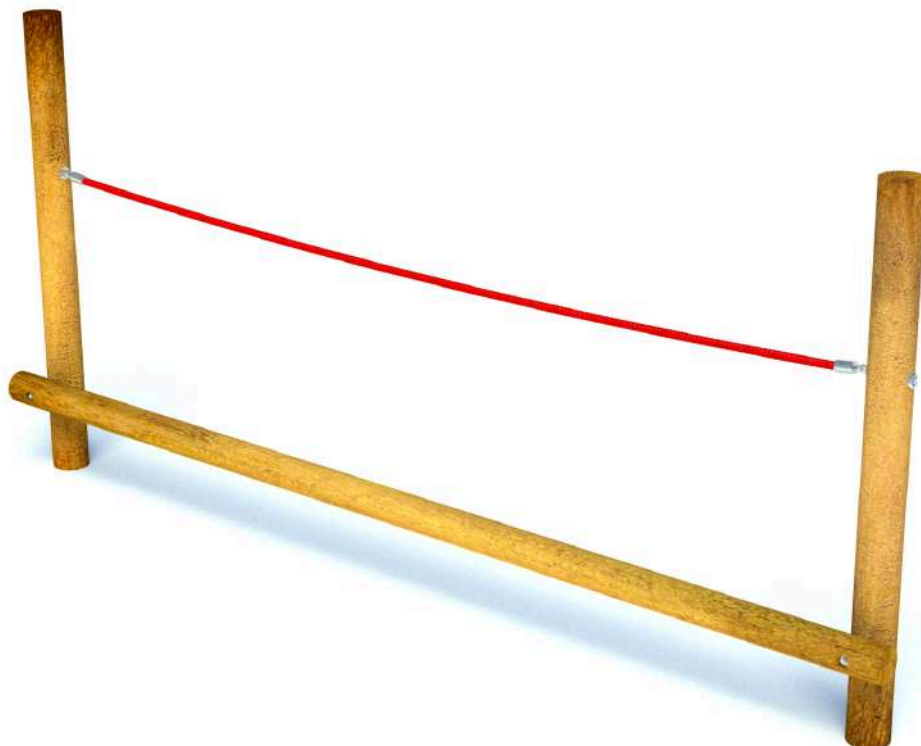


Product Specification Sheet for:
Balancing Beam with Holdin Rope - 906100900R

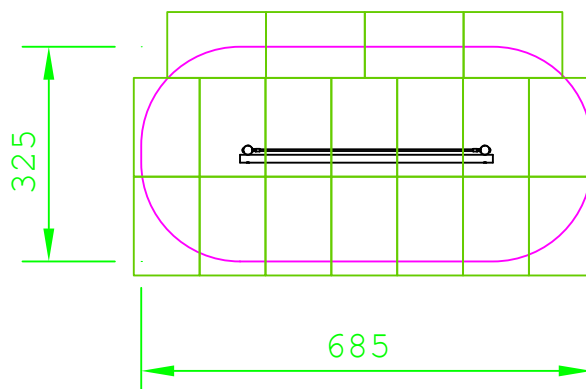


Compliant to EN1176



Product Name	Balancing Beam with Holding Rope
Product Code	906100900R
Material	BS EN 350-02 Class 1 Robinia Timber
Product Category	FHS Climbing & Balancing
Age Range	4 - 12
Product Type	Multi Activity Unit
Fixings	Stainless Steel Fixings & Galvanised Plates
Free Space Area m2	22
Free Space Loosefill m2	22
FFH	0.6
Area Required (LxW)	6.85 x 3.25
Grassmat Total (M ²)	n/a
Edge Length LM	n/a

Plan View
Not to scale



Product Description

This balancing beam is a reflection of the natural environment found in woodland areas and brings a true sense of nature to a play area. The timber posts are shaped by tree growth and the rope is added to create additional help for smaller children.



Company No. SC200761
© Jupiter Play & Leisure Ltd. 2014.

www.jupiterplay.co.uk
info@jupiterplay.co.uk

HEAD OFFICE: 0131 445 7989
SOUTHERN OFFICE: 0115 969 9859