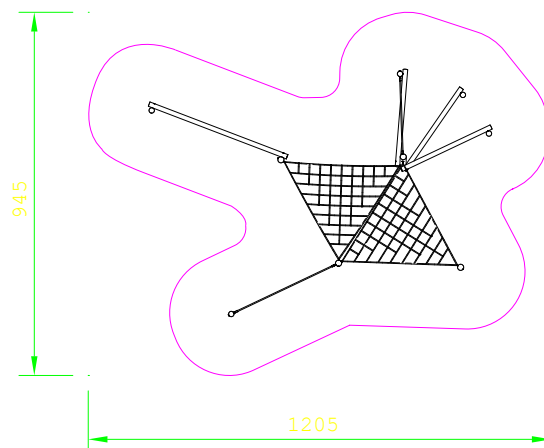
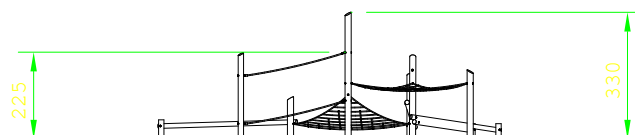


Compliant to EN1176

| | |
|-------------------------|---|
| Product Name | Ape's Palace |
| Product Code | 906171450R |
| Material | BS EN 350-02 Class 1 Robinia Timber |
| Product Category | FHS Climbing & Balancing |
| Age Range | 5 - 12 |
| Product Type | Climbing and Balancing - Rope Play |
| Fixings | Stainless Steel Fixings & Galvanised Plates |
| Free Space Area m2 | 72.20 |
| Free Space Loosefill m2 | 72.20 |
| FFH | 1.45 |
| Area Required (LxW) | 12.05 x 9.45 |
| Grassmat Total (M²) | 97 |
| Edge Length LM | |

Plan View

Not to scale



Product Description

Designed to cater for a range of ages, the Ape's Palace packs as many play features into one structure as possible. Challenging children whilst developing all important risk assessment skills. By including a mix of height and difficulty they meet a wide range of play experiences.

