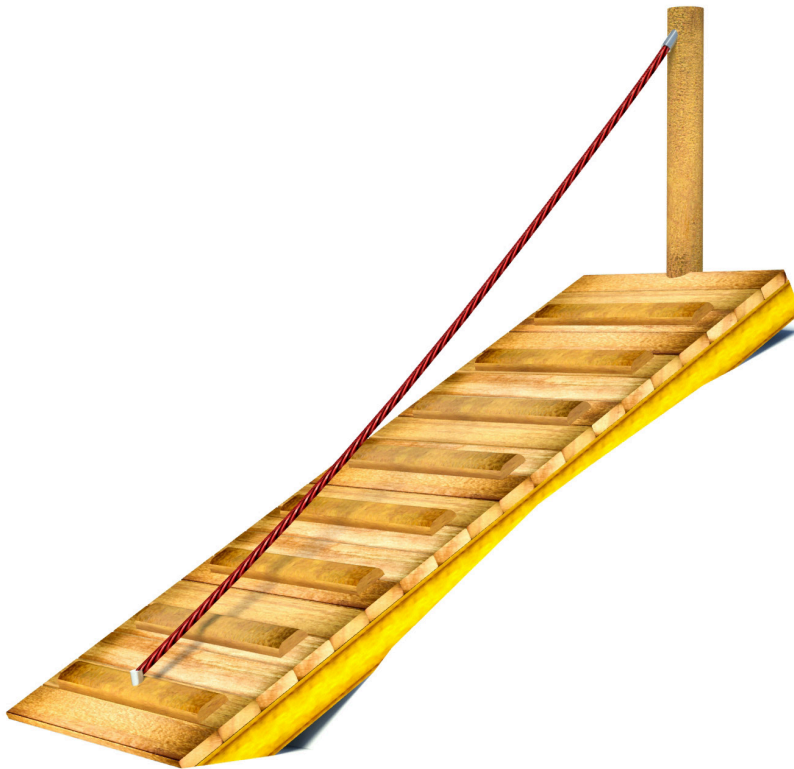


Product Specification Sheet for:  
**Ramp Ascent 906193100R**



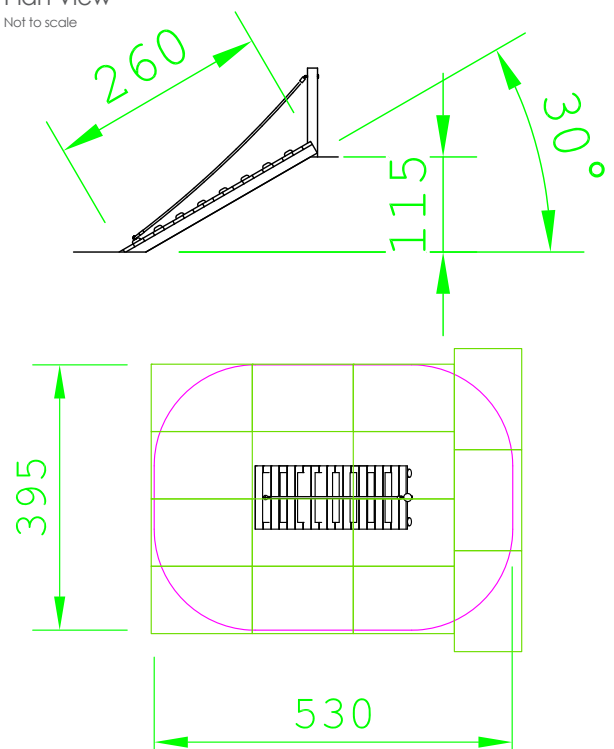
Compliant to EN1176

Product Name	Ramp Ascent
Product Code	906193100R
Material	BS EN 350-02 Class 1 Robinia Timber
Product Category	FHS Climbing and Balancing
Age Range	3+
Product Type	Climbing and Balancing
Fixings	Stainless Steel Fixings & Galvanised Plates
Free Space Area m2	19
Free Space Loosefill m2	19
FFH	0.60
Area Required (LxW)	5.3 x 3.95
Grassmat Total (M <sup>2</sup> )	6
Edge Length LM	n/a

**Product Description**

The Ramp Ascent is a great addition to any playground where there are naturally varying heights in the area. It makes a more interesting way to interact with different levels and with the rope for support it can aid with coordination and balance.

Plan View  
 Not to scale



Company No. SC200761

© Jupiter Play & Leisure Ltd. 2014.

[www.jupiterplay.co.uk](http://www.jupiterplay.co.uk)  
[info@jupiterplay.co.uk](mailto:info@jupiterplay.co.uk)

HEAD OFFICE: 0131 445 7989  
 SOUTHERN OFFICE: 0115 969 9859