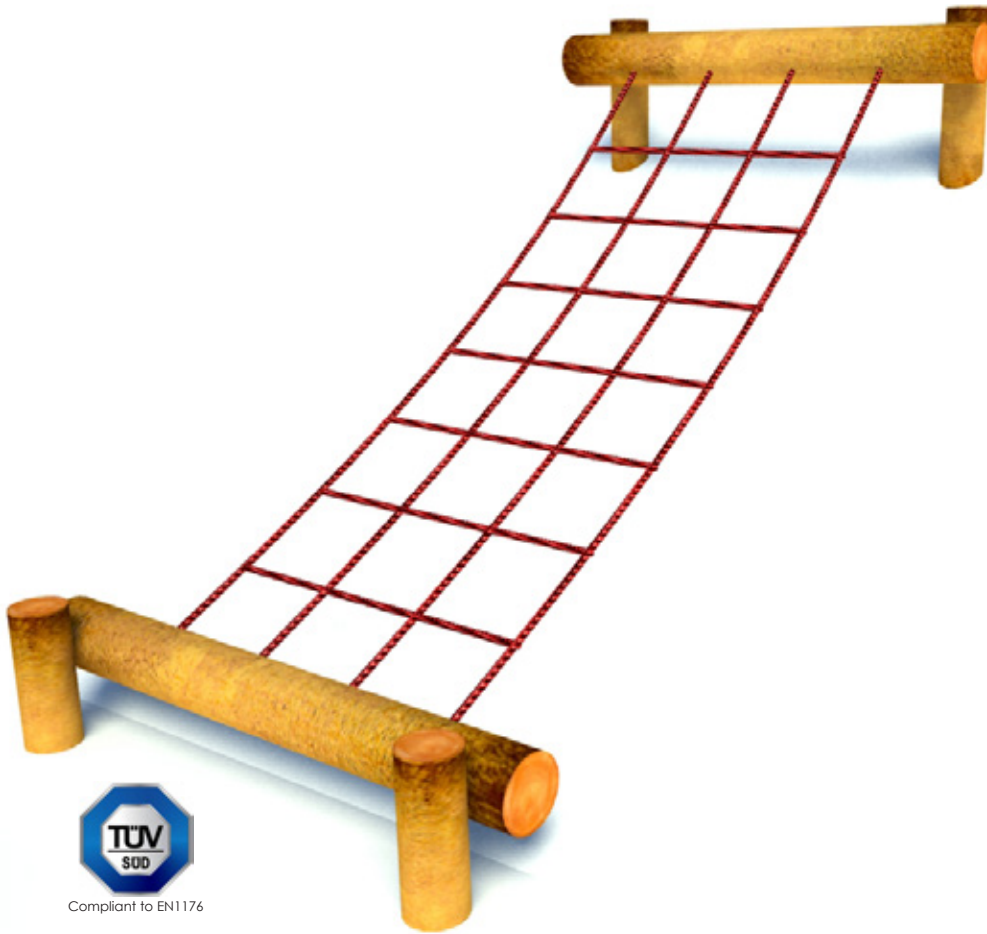


Product Specification Sheet for:
Scramble Net 906193150R



Compliant to EN1176

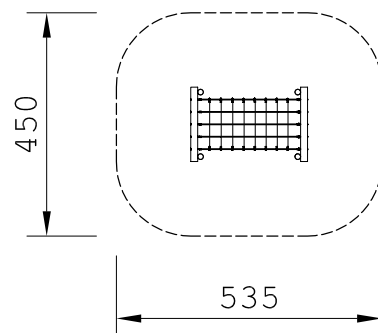
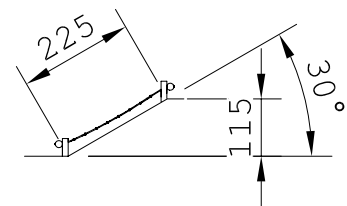


| | |
|----------------------------------|---|
| Product Name | Scramble Net |
| Product Code | 906193150R |
| Material | BS EN 350-02 Class 1 Robinia Timber |
| Product Category | FHS Climbing and Balancing |
| Age Range | 3 + |
| Product Type | Multi Activity Unit |
| Fixings | Stainless Steel Fixings & Galvanised Plates |
| Free Space Area m2 | 22 |
| Free Space Loosefill m2 | 22 |
| FFH | 0.6 |
| Area Required (LxW) | 5.35 x 4.5 |
| Grassmat Total (M ²) | 6 |
| Edge Length LM | n/a |

Product Description

The scramble net is an adventure play item suitable for flat ground or mounds and hills. The net is suitable for children of school age and can be used alongside other trim trail items to create an adventure zone. As users climb, the scramble net encourages concentration and agility.

Plan View
 Not to scale



Company No. SC200761

© Jupiter Play & Leisure Ltd. 2014.

www.jupiterplay.co.uk
info@jupiterplay.co.uk

HEAD OFFICE: 0131 445 7989
 SOUTHERN OFFICE: 0115 969 9859