

Product Specification Sheet for:  
**Shelter Lasse 909245300R**

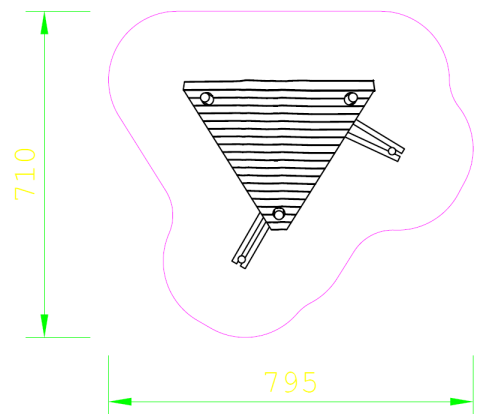


Compliant to EN1176



Product Name	Shelter Lasse
Product Code	909245300R
Material	BS EN 350-02 Class 1 Robinia Timber
Product Category	FHS Furniture
Age Range	2+
Product Type	Seating
Fixings	Stainless Steel Fixings & Galvanised Plates
Free Space Area m2	40.50
Free Space Loosefill m2	56
FFH	0.80
Area Required (LxW)	7.10 x 7.95

Plan View  
 Not to scale



**Product Description**

The Shelter Lasse is a modern twist on a shelter unit with integrated seating for informal places to sit. This is the perfect unit that acts as a rest and revive point or a social hub for teenagers or parents overwatching their children.