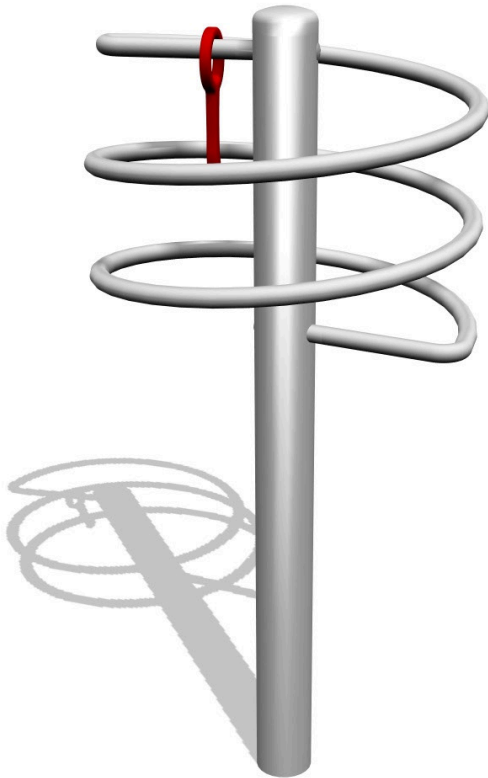


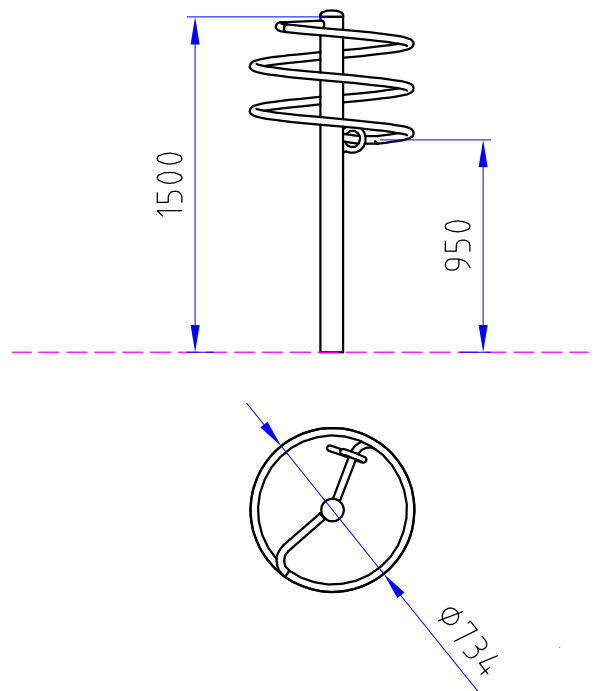
Product Specification Sheet for:  
**94000140VA - Senior Hot Wire Type 2 Spiral/Rotary**



Compliant to EN1176

Product Name	Senior Fitness
Product Code	94000140VA
Material	Galvanised & Lacquered Steel - S-235
Product Category	Leisure & Sport
Age Range	10+
Product Type	Senior Fitness
Fixings	Stainless Steel Fixings & Galvanised Plates
Free Space Area m2	
Free Space Loosefill m2	
FFH	
Area Required (LxW)	
Grassmat Total (M <sup>2</sup> )	
Edge Length LM	

Plan View  
 Not to scale



**Product Description**

This Hot Wire Spiral is designed for the users to use a large amount of physical movement to get the ring from top to bottom or vice versa. This piece of equipment is a subtle way to get people active and can be used by children and adults alike.



Company No. SC200761  
 © Jupiter Play & Leisure Ltd. 2014.

[www.jupiterplay.co.uk](http://www.jupiterplay.co.uk)  
[info@jupiterplay.co.uk](mailto:info@jupiterplay.co.uk)

HEAD OFFICE: 0131 445 7989  
 SOUTHERN OFFICE: 0115 969 9859