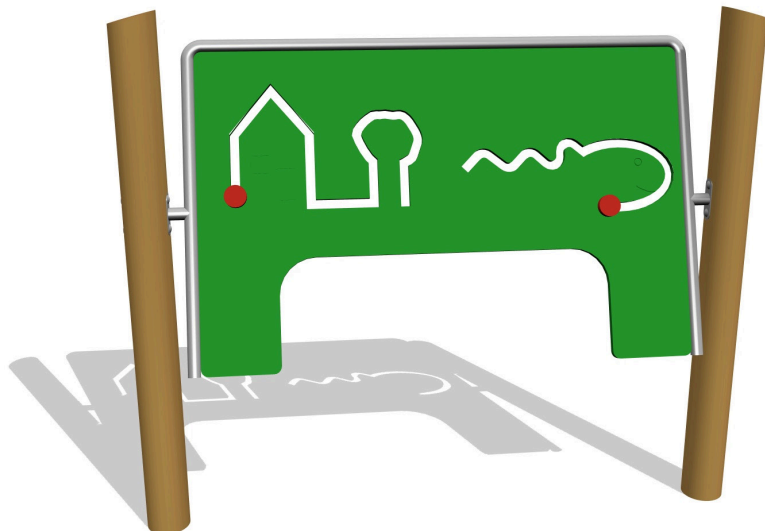


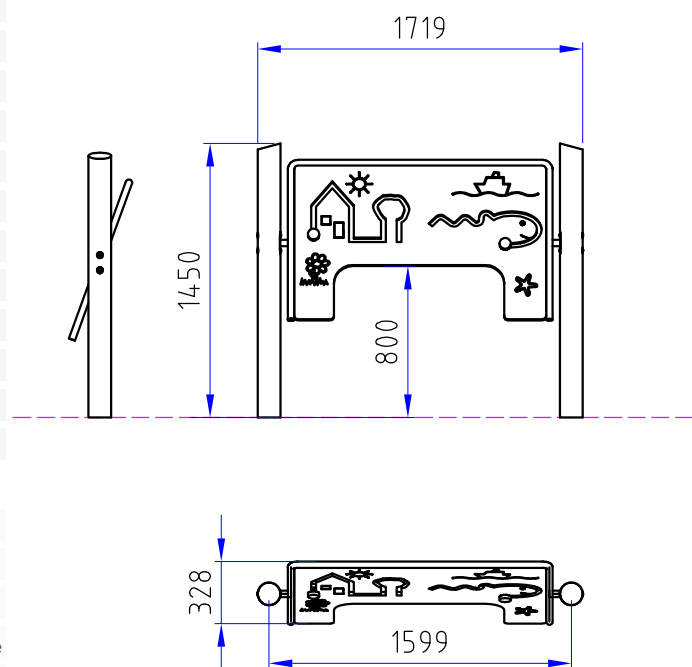
Product Specification Sheet for:
940001600R - Senior Sliding Labyrinth Type 1, One-sided



Compliant to EN1176

Product Name	Senior Sliding Labyrinth Type 1, One-sided
Product Code	940001800R
Material	BS EN 350-02 Class 1 Robinia Timber
Product Category	Leisure & Sport
Age Range	10+
Product Type	Senior Fitness
Fixings	Stainless Steel Fixings & Galvanised Plates
Free Space Area m2	
Free Space Loosefill m2	
FFH	
Area Required (LxW)	
Grassmat Total (M ²)	
Edge Length LM	

Plan View
 Not to scale



Product Description

The sliding labyrinth, is specially designed for wheelchair users. The range from the start to the end point is optimal for wheelchair users. Moving the disk horizontally across the provided channel helps increase fine motor skills and improving movement in their forearms and wrists.



Company No. SC200761
 © Jupiter Play & Leisure Ltd. 2014.

www.jupiterplay.co.uk
info@jupiterplay.co.uk

HEAD OFFICE: 0131 445 7989
 SOUTHERN OFFICE: 0115 969 9859