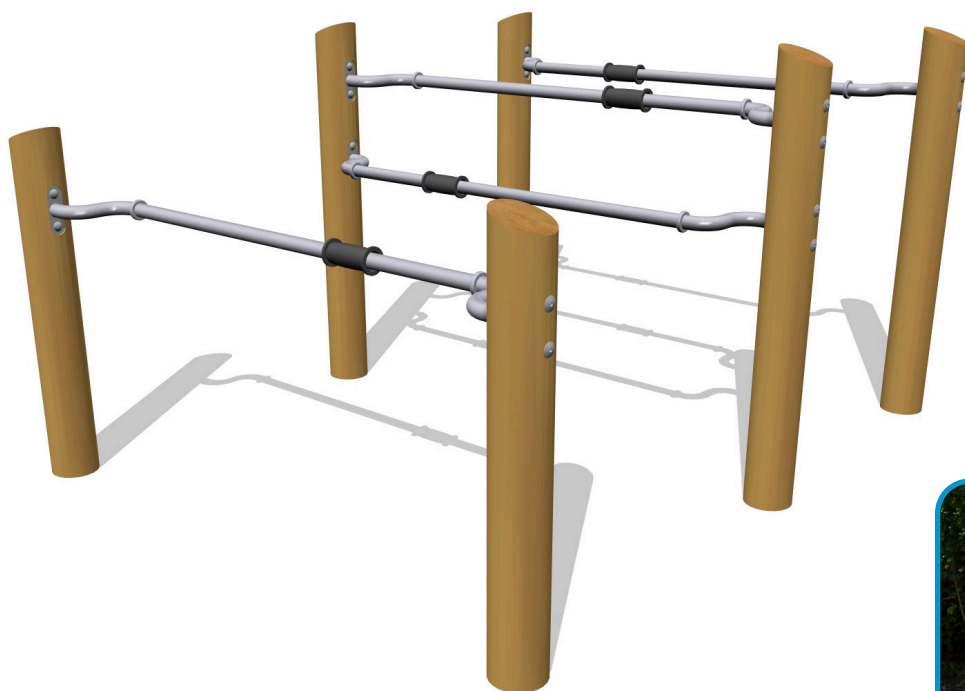


Product Specification Sheet for:
940002100R - Senior Nordic Walker Push Bar Combination



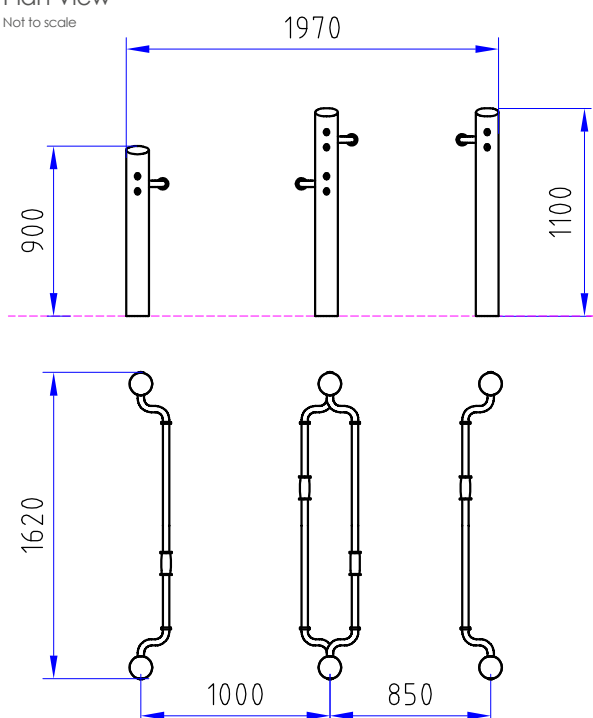
Compliant to EN1176

Product Name	Senior Nordic Walker Push Bar Combination
Product Code	940002100R
Material	BS EN 350-02 Class 1 Robinia Timber
Product Category	Leisure & Sport
Age Range	10+
Product Type	Senior Fitness
Fixings	Stainless Steel Fixings & Galvanised Plates
Free Space Area m2	
Free Space Loosefill m2	
FFH	
Area Required (LxW)	
Grassmat Total (M ²)	
Edge Length LM	

Product Description

The push bars Nordic Walking serve for the coordination of arms and legs. The key focus on this piece of equipment is in a forward and backwards movement and can be used individually or as a pair. The push bars are also suitable for wheelchair users.

Plan View
 Not to scale



Company No. SC200761
 © Jupiter Play & Leisure Ltd. 2014.

www.jupiterplay.co.uk
info@jupiterplay.co.uk

HEAD OFFICE: 0131 445 7989
 SOUTHERN OFFICE: 0115 969 9859