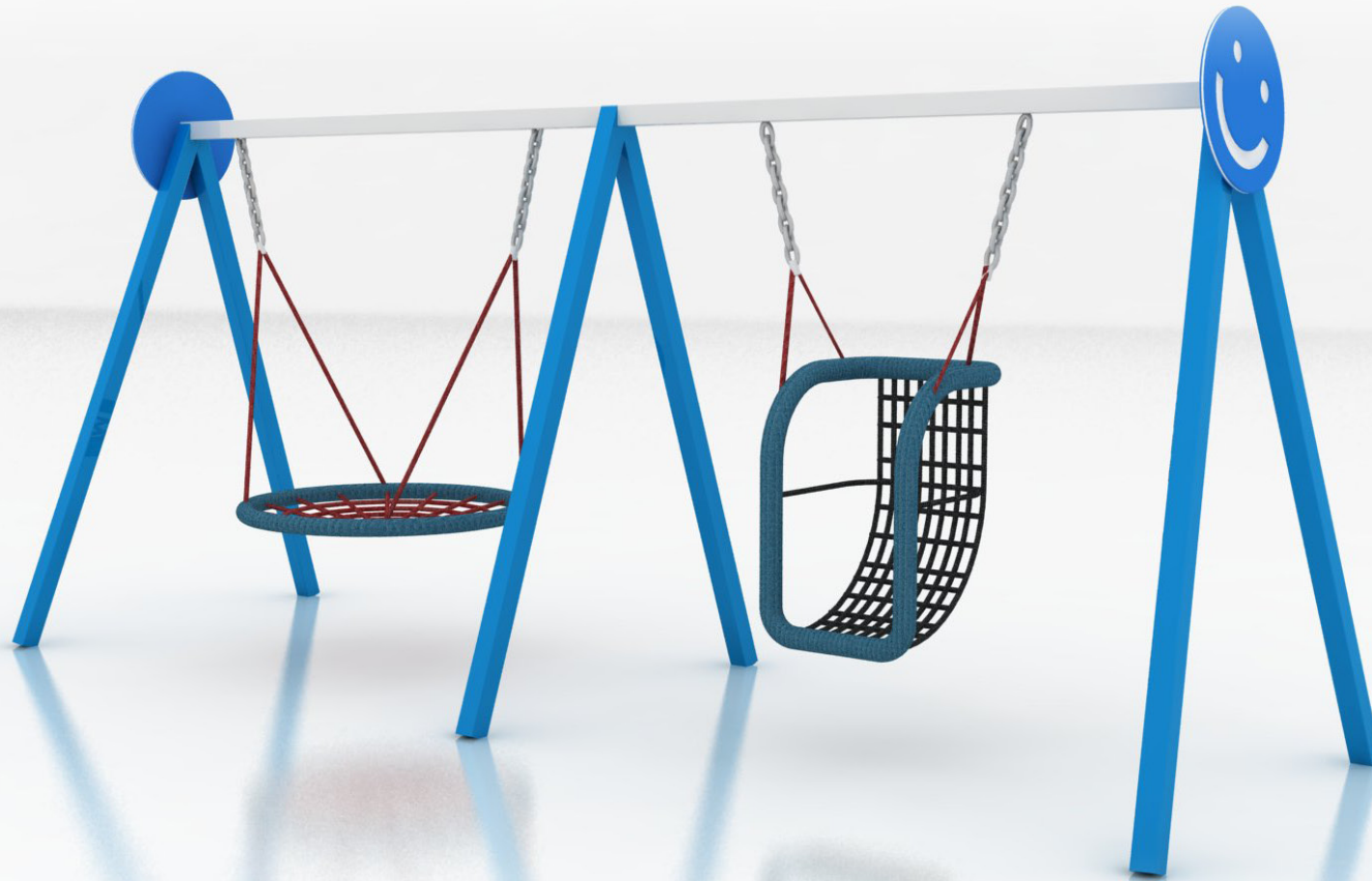




# IP24 Sit and Wave Swing

Call us +44(0)131 214 1180  
[www.inclusiveplay.com](http://www.inclusiveplay.com)



**Install Pack**



# IP24 Sit and Wave Swing

JOB NO ..... CUSTOMER ..... SITE .....

Part no	Description	Qty	Colour	Checked by	Packed	To Follow
SW04	SWING LEG (3.4m)	6				
SW03A	CROSSBAR (Assembly, to include bearings , 2,off d shackles, 2,off m12x65 hex bolt, 2,off nyloc nuts, 2,off m10x100 eyebolt, 2,off m10 nyloc, 2,off 2part m10 black cap)	2				
	SIT UP SWING COMPONENT SWING AND CHAINS	1				
	WAVE SWING COMPONENT SWING AND CHAINS	1				
	M12 X 100 HEX BOLT	12				
	m12 Plastic cap (black push on)	44				
	12 NYLOC NUT	24				
	SPLIT LINKS	4				
	Safety chain (to be cut from existing swing chain)	4				
	INCLUSIVE PLAY LOGO END PANEL	2				
	M12 x 110 HEX BOLT	6				

QA SIGNATURE .....

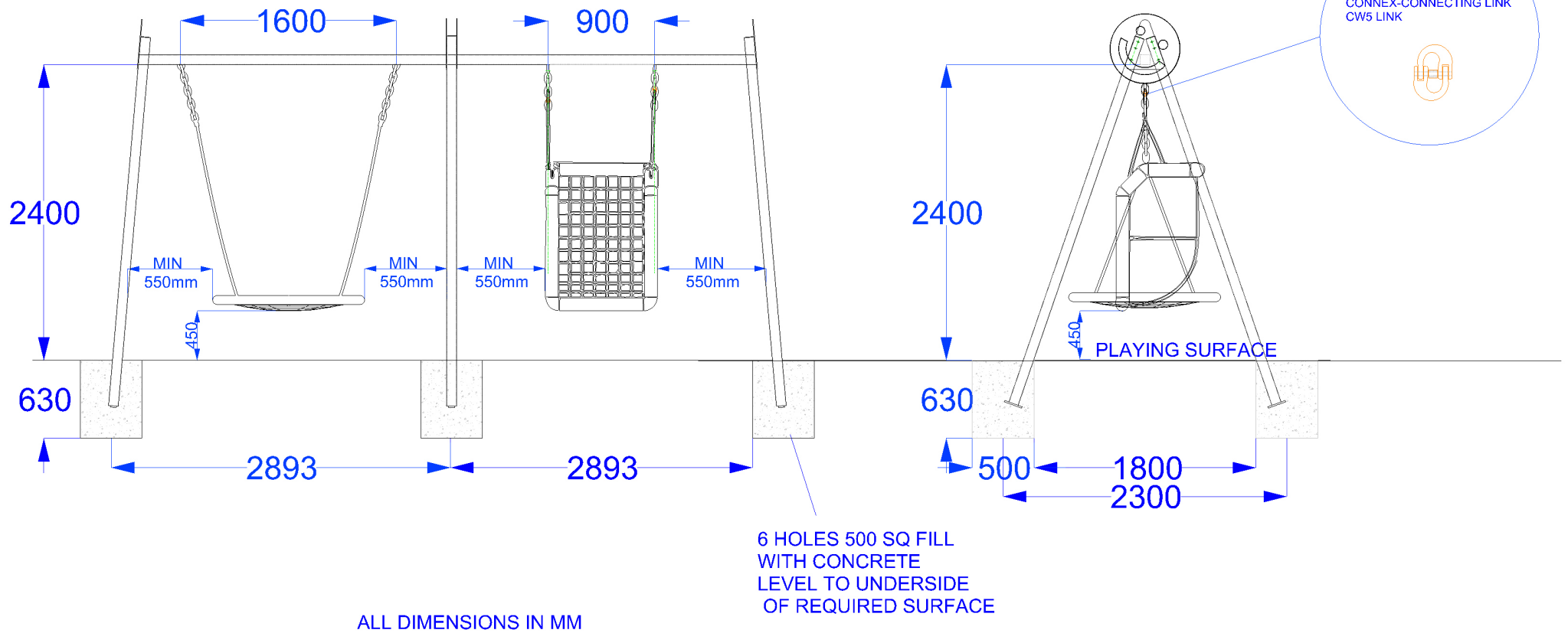
DATE .....



**Inclusive  
play**

# IP24 Sit and Wave Swing

## INSTALLATION & MAINTENANCE INSTRUCTIONS





# IP24 Sit and Wave Swing

## INSTALLATION & MAINTENANCE INSTRUCTIONS

